

3.10

Melt Pressure Transducers

MELT PRESSURE TRANSDUCERS PRECISE TO 1.0%

- +/-1.0% combined error (Better than +/-0.5% accuracy)
- Fluid filled system for temperature stability
- 3.3mv/Vdc Output (10Vdc exc. typical. Full range output = 33mVdc)
- GTP coated diaphragm
- 6 pin Bendix connector or 8 pin



Specifications

Mechanical Ranges:	PSIG: 0-500, 750, 1000, 1500, 3000, 5000, 7500, 10000, 15000, 20000, or 30000 BAR: 0-35, 50, 70, 100, 200, 350, 500, 700, 1000, 1400, or 2000
Overload Capability:	For ranges up to 15000 PSIG: 2 times full scale output For ranges of 15000 PSIG and above: 1.5 times full scale output
Diaphragm Material:	15-5PH Stainless Steel (GTP coated)
Maximum Temperature on Strain Gauge Housing:	Maximum: 250°F or 120°C
Temperature on Diaphragm:	Maximum: 750°F or 400°C Zero Shift: 15 PSIG/100°F or 27 PSIG/100°C
Connections:	1/2-20 UNF thread (standard) M 18 x 1.5 (also available)

M	3			M								-000		
MECHANICAL			RANGES									STD. FLEX LENGTHS*		
6" Stem	0		BAR										0	0"
6" Stem w/ Flex Cable	1		35	B05U	P05C	500							D	18"
6" Stem w/ Flex Cable and Thermocouple	2		70	B07D	P01M	1000							E	24"
CONNECTOR			100	B01C	P15C	1500							F	30"
6 PIN Bendix Connector	6		200	B02C	P03M	3000							STD. STEM LENGTHS*	
8 PIN Bendix Connector	8		350	B05D	P05M	5000							3	3"
ACCURACY			500	B05C	P75C	7500							4	6"
< +/- .25% FSO	H		700	B07C	P10M	10000							5	12.5"
< +/- .5% FSO	M		1000	B10C	P15M	15000							THREADS	
			1400	B14C	P20M	20000							1	1/2-20 UNF
			2000	B20C	P30M	30000							4	M18 x 1.5

*Custom Lengths Available

TYPICAL MODELS: MELT PRESSURE TRANSDUCER - 6 PIN - 1%CE

Part No.	Model	Range	Stem Lgth	Flex Lgth	Price	Interchangeable with
M30-6-M-P05M-1-4-0	0100-5.0T-6	0-5000 psi	6"	—	<i>call us for pricing or visit our e-store</i>	PT460-5.0M-6
M30-6-M-P10M-1-4-0	0100-10.0T-6	0-10000 psi	6"	—		PT460-10.0M-6
M31-6-M-P05M-1-4-D	0101-5.0T-6/18	0-5000 psi	6"	18"		PT462-5.0M-6/18
M31-6-M-P10M-1-4-D	0101-10.0T-6/18	0-10000 psi	6"	18"		PT462-10.0M-6/18
M32-6-M-P05M-1-4-D*	0102-5.0T-6/18	0-5000 psi	6"	18"		TPT463-5.0M-6/18
M32-6-M-P10M-1-4-D*	0102-10.0T-6/18	0-10000 psi	6"	18"		TPT463-10.0M-6/18

*Part M32 includes replaceable Type J thermocouple.

See page 3.16 for Cables and Connectors

Melt Pressure Transducers

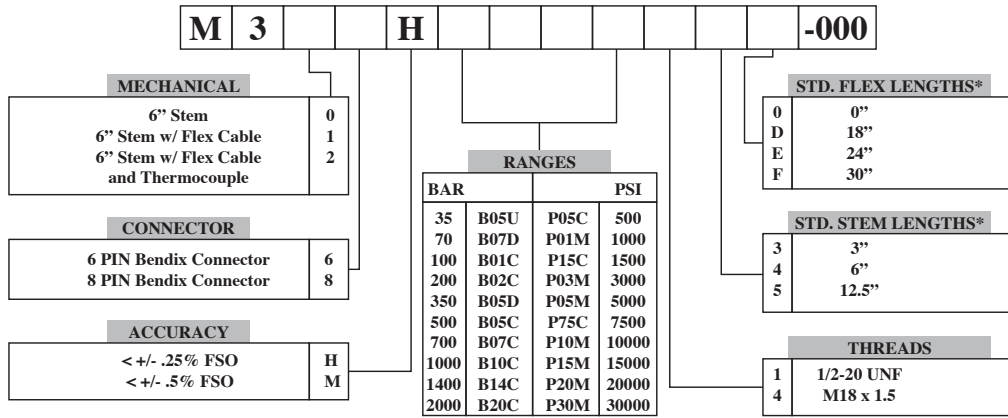
3.11

MELT PRESSURE TRANSDUCERS PRECISE TO 0.5%

- +/-0.5% combined error (Better than +/-0.25% accuracy)
- 80% output signal for easy calibration
- 3.3mv/Vdc Output (10Vdc exc. typical. Full range output = 33mVdc)
- GTP coated diaphragm
- 8 pin Bendix connector or 6 pin

Specifications

Mechanical Ranges:	PSIG: 0-500, 750, 1000, 1500, 3000, 5000, 7500, 10000, 15000, 20000, or 30000 BAR: 0-35, 50, 70, 100, 200, 350, 500, 700, 1000, 1400, or 2000
Overload Capability:	For ranges up to 15000 PSIG: 2 times full scale output For ranges of 15000 PSIG and above: 1.5 times full scale output
Diaphragm Material:	15-5PH Stainless Steel (GTP coated)
Maximum Temperature on Strain Gauge Housing:	Maximum: 250°F or 120°C
Temperature on Diaphragm:	Maximum: 750°F or 400°C Zero Shift: 15 PSIG/100°F or 27 PSIG/100°C
Connections:	1/2-20 UNF thread (standard) M 18 x 1.5 (also available)



TYPICAL MODELS: MELT PRESSURE TRANSDUCER - 8 PIN - 0.5%CE

Part No.	Model	Range	Stem Lgth	Flex Lgth	Price	Interchangeable with
M30-8-H-P05M-1-4-0	0120-5.0T-6	0-5000 psi	6"	—	call us for pricing or visit our e-store	PT420-5.0M-6
M30-8-H-P10M-1-4-0	0120-10.0T-6	0-10000 psi	6"	—		PT420-10.0M-6
M31-8-H-P05M-1-4-D	0121-5.0T-6/18	0-5000 psi	6"	18"		PT422-5.0M-6/18
M31-8-H-P10M-1-4-D	0121-10.0T-6/18	0-10000 psi	6"	18"		PT422-10.0M-6/18
M32-8-H-P05M-1-4-D*	0122-5.0T-6/18	0-5000 psi	6"	18"		TPT432-5.0M-6/18
M32-8-H-P10M-1-4-D*	0122-10.0T-6/18	0-10000 psi	6"	18"		TPT432-10.0M-6/18

*Part M32 includes replaceable Type J thermocouple.

See page 3.16 for Cables and Connectors