

Melt Pressure Transducers

3.13

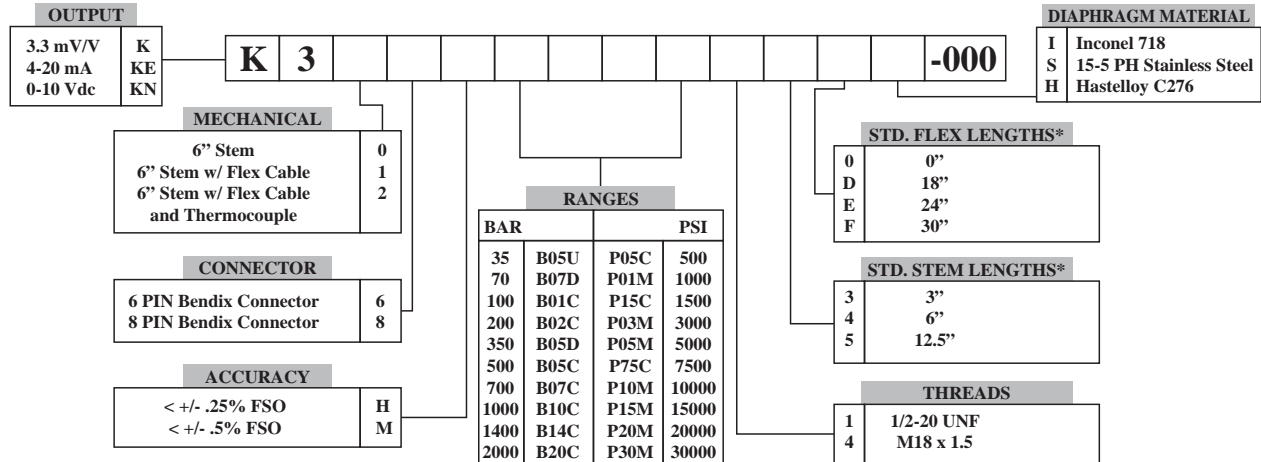
MELT PRESSURE TRANSDUCERS PRECISE TO 0.5%

- +/-1.0% combined error (+/-0.5% accuracy)
or +/-0.5% combined error (Better than +/-0.25% accuracy)
- Nak fill
- 6 or 8 pin Bendix connector

FDA Safe NaK fill
Use at temps up to 1000°F
with Inconel diaphragm

Specifications

Mechanical Ranges:	PSIG: 0-500, 750, 1000, 1500, 3000, 5000, 7500, 10000, 15000, or 20000 BAR: 0-35, 50, 70, 100, 200, 350, 500, 700, 1000, or 1400
Overload Capability:	For ranges up to 20000 PSIG: 2 times full scale output For ranges of 20000 PSIG and above: 1.5 times full scale output
Diaphragm Material:	15-5 Ph Stainless Steel with GTP Coating (750°F) Inconel 718 with GTP coating (1000°F) Hastelloy C276 (570°F)
Maximum Temperature on Strain Gauge Housing:	Maximum: 160°F or 70°C
Zero Shift:	15 PSIG/100°F or 27 PSIG/100°C
Connections:	1/2-20 UNF thread (standard) M 18 x 1.5 (also available)



*Custom Lengths Available

TYPICAL MODELS: MELT PRESSURE TRANSDUCER - NaK FILLED

Part No.	Range	Stem Lgth	Flex Lgth	Price
K30-6-M-P05M-1-4-0-S	0-5000 psi	6"	—	<i>call us for pricing or visit our e-store</i>
K30-6-M-P10M-1-4-0-S	0-10000 psi	6"	—	
K31-6-M-P05M-1-4-D-S	0-5000 psi	6"	18"	
K31-6-M-P10M-1-4-D-S	0-10000 psi	6"	18"	
K32-6-M-P05M-1-4-D-S*	0-5000 psi	6"	18"	
K32-6-M-P10M-1-4-D-S*	0-10000 psi	6"	18"	

*Part K32 includes replaceable Type J thermocouple.

See page 3.16 for Cables and Connectors