

3.12

Melt Pressure Transducers

OIL FILLED MELT PRESSURE TRANSDUCER

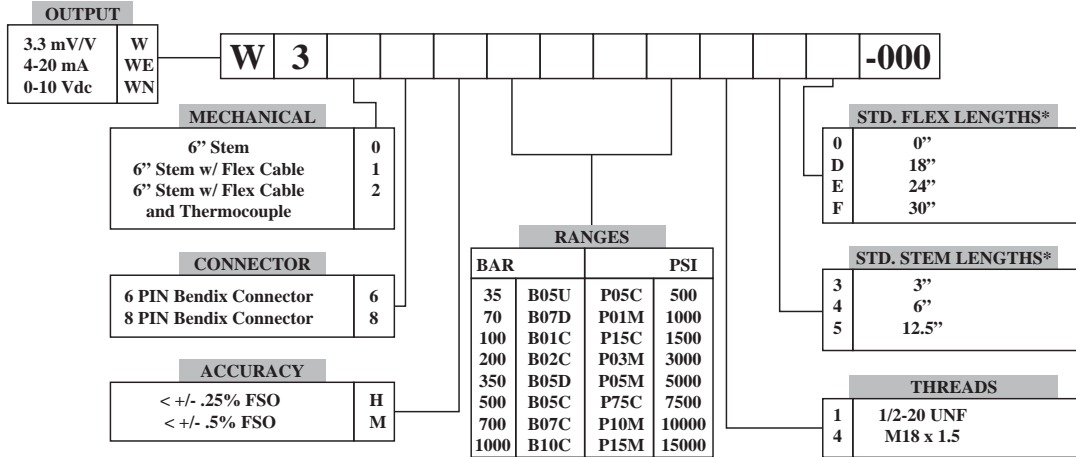
**FDA Approved Oil-Fill
Great for Medical, Food
and Food Pkg. Extrusion**

- 6 or 8 pin connector
- +/-1.0% combined error (+/-0.5% accuracy) or +/-0.5% combined error (Better than +/-0.25% accuracy)
- GTP coated diaphragm
- FDA approved oil-filled
- 600°F max at tip



Specifications

Mechanical Ranges:	PSIG: 0-500, 750, 1000, 1500, 3000, 5000, 7500, 10000, or 15000 BAR: 0-35, 50, 70, 100, 200, 350, 500, 700, or 1000
Overload Capability:	For ranges up to 7500 PSIG: 2 times full scale output For ranges of 7500 PSIG and above: 1.5 times full scale output
Diaphragm Material:	17-7 Ph diaphragm with TiN coating
Maximum Temperature on Strain Gauge Housing:	Maximum: 250°F or 120°C
Temperature on Diaphragm:	Maximum: 600°F or 315°C Zero Shift: 30 PSIG/100°F or 54 PSIG/100°C
Connections:	1/2-20 UNF thread (standard) M18x1.5 (also available)



**Custom Lengths Available*

TYPICAL MODELS: MELT PRESSURE TRANSDUCER - OIL FILLED

Part No.	Model	Range	Stem Length	Flex Length	Price
W30-6-M-P05M-1-4-0	3100-5.0T-6	0-5000 psi	6"	—	<i>call us for pricing or visit our e-store</i>
W30-6-M-P10M-1-4-0	3100-10.0T-6	0-10000 psi	6"	—	
W31-6-M-P05M-1-4-D	3101-5.0T-6/18	0-5000 psi	6"	18"	
W31-6-M-P10M-1-4-D	3101-10.0T-6/18	0-10000 psi	6"	18"	
W32-6-M-P05M-1-4-D	3102-5.0T-6/18*	0-5000 psi	6"	18"	
W32-6-M-P10M-1-4-D	3102-10.0T-6/18*	0-10000 psi	6"	18"	

*Part W32 includes replaceable Type J thermocouple.

See page 3.16 for Cables and Connectors